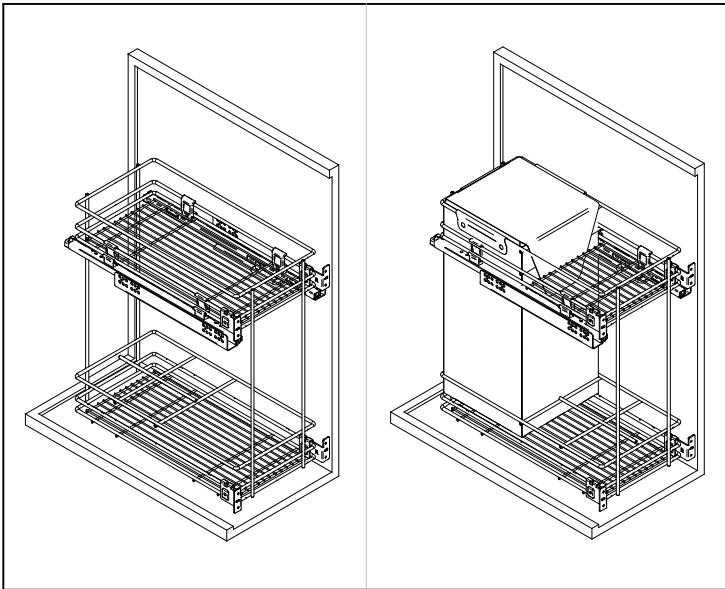


**VIBO**  
Wire processing

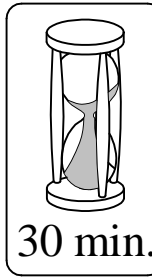
Portata massima:  
Maximum load:  
Charge maxi:  
Maximale belastbarkeit:  
Carga maxima:

25  
Kg

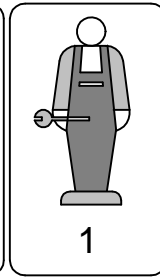
**Istruzioni di montaggio**  
Assembling instructions  
Notice de montage  
Montageanleitung  
Manual de montaje



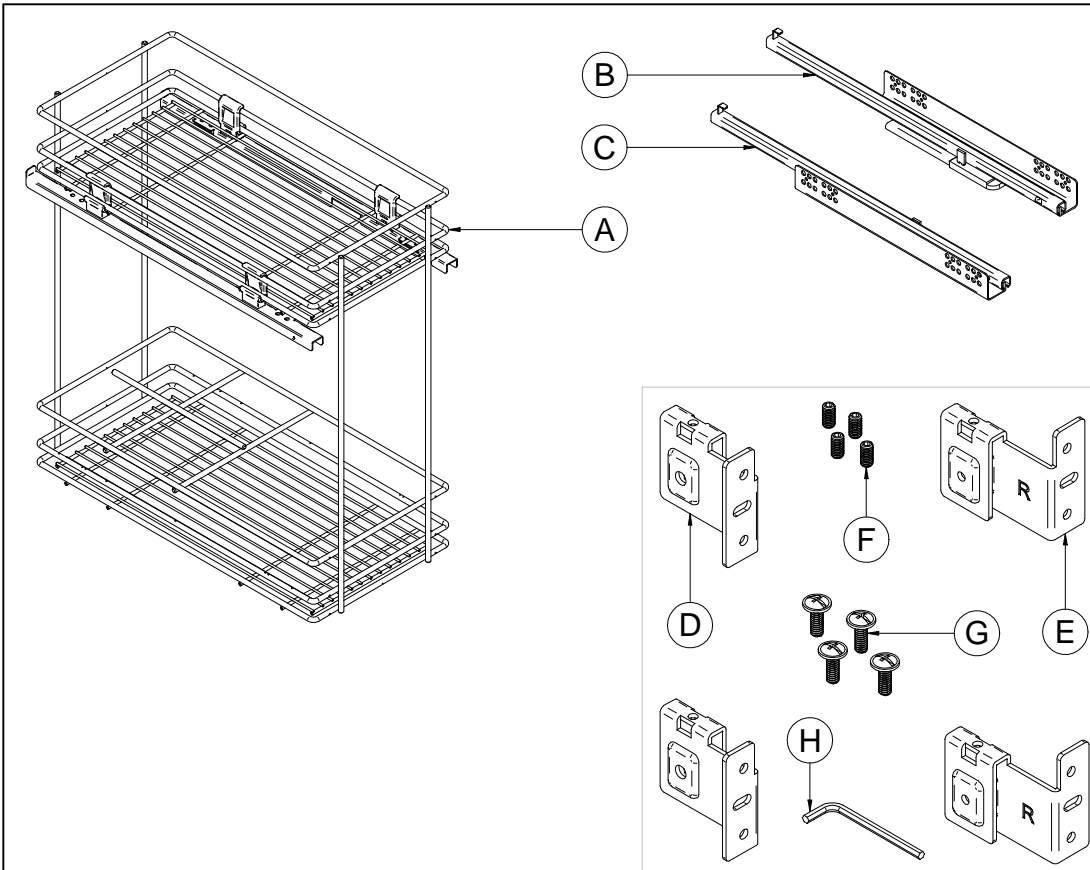
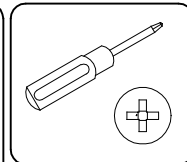
EGPHM30B2B  
EGPHM40B2B  
EGPHM45B2B  
EGPHM30P2B  
EGPHM40P2B



30 min.



1



**PRIMA DI COMINCIARE,  
VEDERE I CONSIGLI DI  
MONTAGGIO**

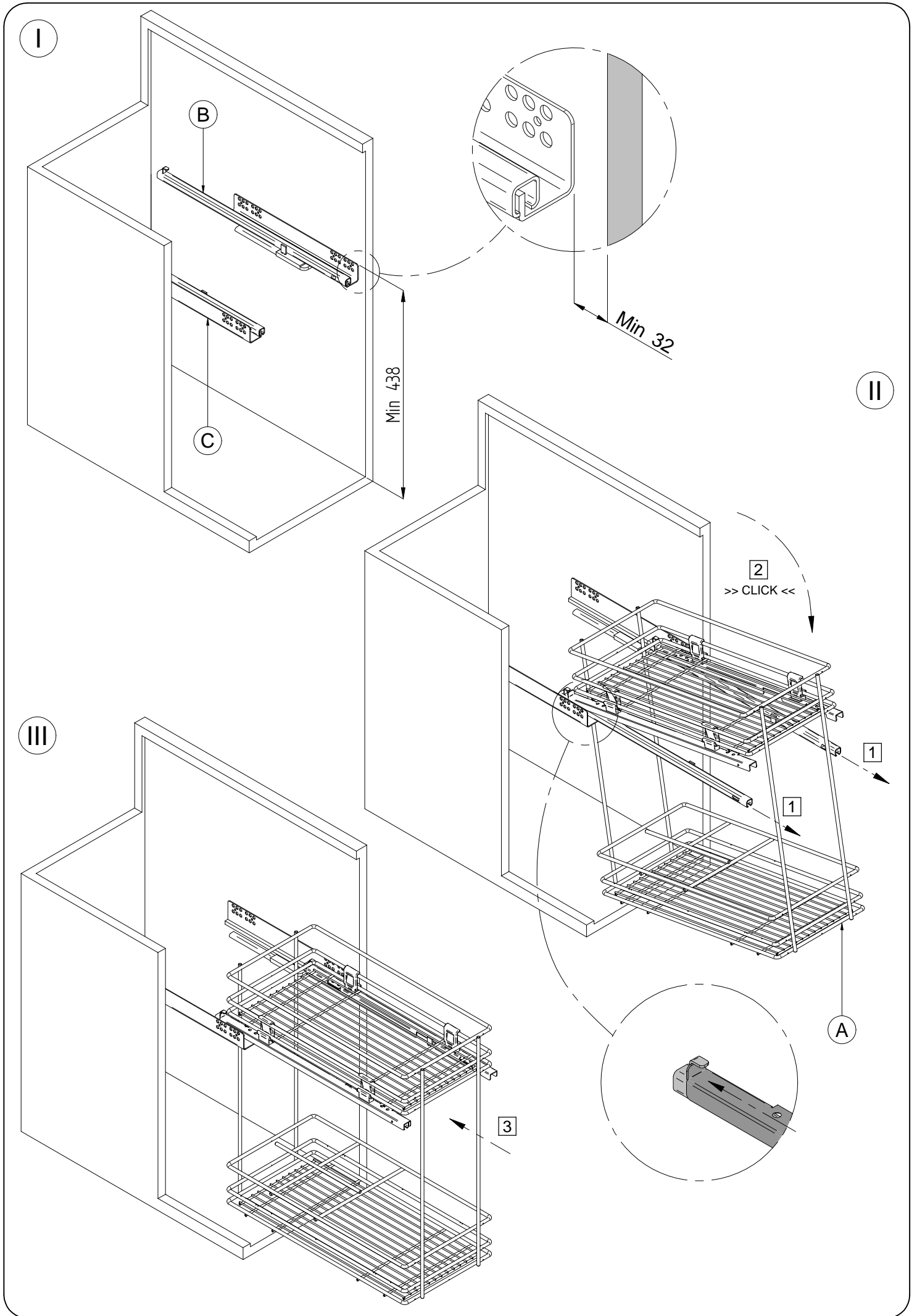
BEFORE STARTING, REFER  
TO THE ASSEMBLING  
ADVICE IN ANNEX

AVANT DE COMMENCER, SE  
REPORTER AUX CONSEILS  
DE MONTAGE EN ANNEXE

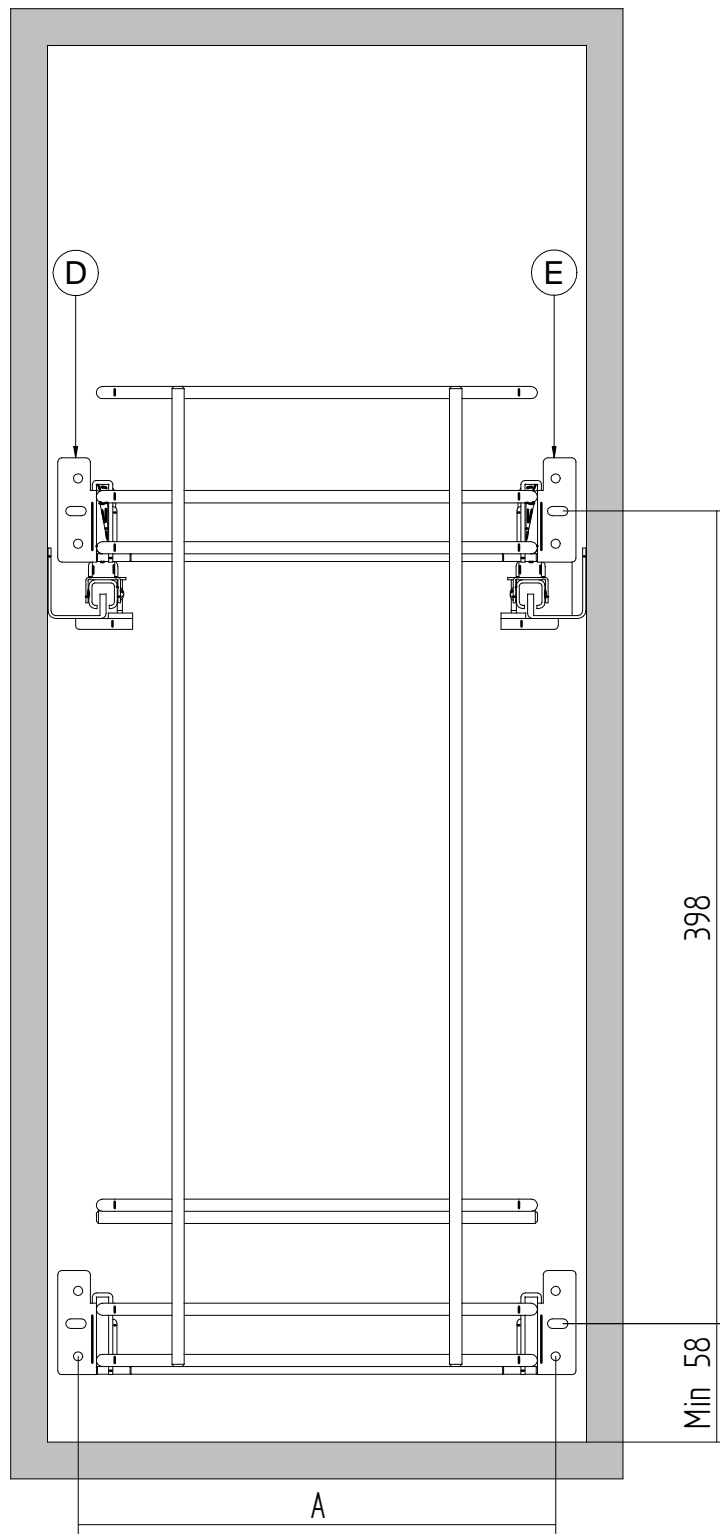
VOR DIE MONTAGE, BITTE  
BEILIEGENDE  
ANWEISUNGEN FOLGEN

ANTES DE EMPEZAR  
CONSULTE LOS CONSEJOS  
PARA EL MONTAJE

A x 1	B x 1	C x 1	D x 2	E x 2	F x 4	G x 4
H x 1						



IV



Mod.	A (mm)
30	234
40	334
45	384

V

